

SmartZone-4X/8X

Residential & Light Commercial HVAC Zoning System for 3 to 8 Zones

SmartZone-4X Controller Features

ECOJAY SmartZone Controllers feature the latest and most advanced zone controls available in their class and are designed to deliver reliable operation for years. Time saving push button and dipswitch controls reduce installation time. System monitoring and troubleshooting is simple with the convenient full function color coded display and LED's for monitoring supply air temp, system-wide calls and damper status. Using Ecojay's included Supply Air Temp Sensor, the Smart Limit Control™ protects the compressor and heat exchanger from operating temperature extremes and short cycling.

The unique **Ecojay SmartZone Economy** feature enables users to conveniently switch between zone and conventional single thermostat control. Staging controls are built-in allowing use of cost saving single stage thermostats.

Easy Installation & Configuration

- Heat Pump, Dual Fuel and Gas/Electric Systems
- 3-Stage Heating and 2-Stage Cooling Equipment
- Smart Staging Based on Time and Supply Air Temperature (Using included Supply Temp Sensor)
- Simple pushbutton and dipswitch configuration
- Monitor entire system from SmartZone Panel, including Supply Air Temp, Cut-Out, Purge, Delay and Economy
- Color Coded Diagnostic LED Indicators for each Thermostat Input
- Color LED Indicators show damper position (RED=Close, GREEN=Open)
- Smart Limit Control™ (SLC) protects compressor and heat exchanger

Economy Features

- ECONOMY Mode built-in to every board
- User can switch between zone control and conventional 'single-thermostat' control
- Smart-Staging (including built-in Dual Fuel)

Convenient Customer Features

- Automatic Changeover for Maximum Comfort
- Customer never needs access to the SmartZone Panel
- Enable Emergency Heat from Heat Pump Thermostat
- Energize Fan from any Thermostat
- Superior 5-Year Limited Factory Warranty

DIGITAL DISPLAY with FULL STATUS and SUPPLY TEMP

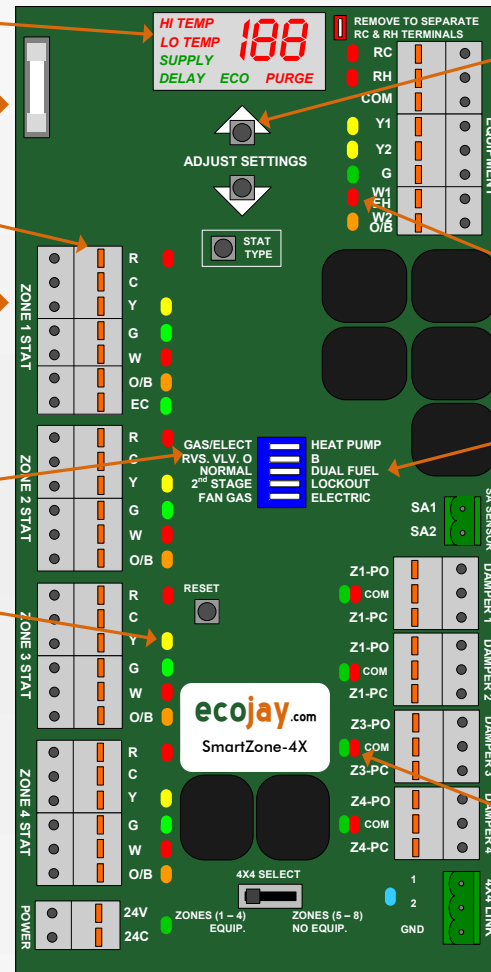
FUSED for PROTECTION Field replaceable

QUICK and EASY Screwless Terminals

USE ANY THERMOSTAT HEAT PUMP OR GAS/ELECTRIC

HEAT PUMP or GAS/ELECTRIC Equipment

LED Status Lights QUICKLY indicate Thermostat Calls



SIMPLE SETUP Pushbuttons for Temp Limits and Thermostat Setup

CONTROL EQUIPMENT up to 2-STAGE Cooling 3-STAGE Heating

LED Status Lights QUICKLY indicate Equipment Calls & Equipment Transformer

DUAL FUEL CAPABILITY on HEAT PUMP SYSTEMS

SUPPLY AIR TEMP SENSOR with plug-in connector INCLUDED

2-WIRE DAMPERS (POWER CLOSE/SPRING OPEN) and/or **3-WIRE DAMPERS** (POWER OPEN/POWER CLOSE)

LED Status Lights QUICKLY indicate Damper Position

4X4 LINK Feature Allows connecting two 4X boards for an 8 ZONE System



ecojay SmartZone, the SMART choice.

Included with SmartZone-4X

- Plastic Enclosure with multiple mounting options
- Supply Air Temperature Sensor Probe with pluggable connector
- SmartZone-4X/8X Install Guide
- Superior 5-Year Limited Factory Warranty

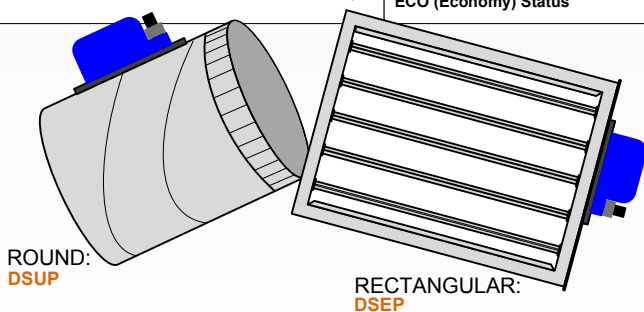
MORE INFORMATION AVAILABLE ONLINE

ecojay.com

SPECIFICATIONS

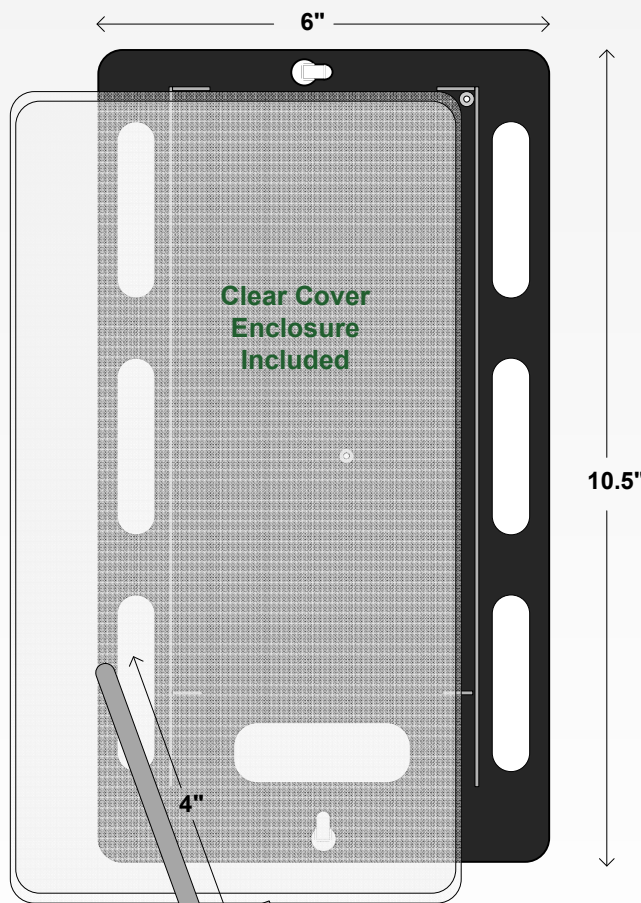
POWER	SmartZone-4X SmartZone-8X	14VA MAX (375 mA @ 24VAC) [8X = TWO 4X Boards (28VA)] If multiple transformers are used in an 8X system, the primary and secondary polarities must be the same for both transformers and on both 4X boards.
	SYSTEM	14VA + Thermostat (3VA) + Damper (3 to 10 VA) = Total Transformer Size
	PROTECTION	Integrated 5X20mm 400mA Fuse- One replacement also included. (Field supplied transformer should also be fused)
OUTPUTS	EQUIPMENT	2 AMP @ 24VAC Contact Rating RH – 24VAC HOT from Heating Transformer on Equipment (RED) RC – 24VAC HOT from Cooling Transformer on Equipment (RED) C – 24VAC COMMON from Transformer on Equipment (none) Y1 – 1 st Stage Compressor (YELLOW) Y2 – 2 nd Stage Compressor (YELLOW) G – Fan (GREEN) W1/EH – 1 st Stage Heat OR Emergency Heat (RED) W2/OB – 2 nd Stage Heat OR Reversing Valve (RED)
	DAMPERS	10 AMP @ 24VAC Contact Rating (40VA) Power-Close / Spring-Open Dampers (10VA) Power-Open / Spring-Close Dampers (10VA) Power-Open / Power-Close Dampers (3VA)
	4X4 LINK (COMM)	COMM – 3 Wire Communications to 4X4 LINK (BLUE) [Use Cat5 Cable ONLY]
INPUTS	THERMOSTAT	LABEL – DESCRIPTION (LED COLOR) R – 24VAC HOT (RED) C – Common (NONE) Y – Compressor (YELLOW) G – Fan (GREEN) W – Heat OR Emergency Heat (RED) O/B – Reversing Valve (ORANGE) EC – Economy Input (GREEN) ← Zone ONE only
	TEMPERATURE	10K Type III Thermistor SA Sensor – 4" Supply Air Temperature Sensor Stainless Steel Probe (Provided with 4X)
CONFIG.	DIP SWITCHES	Gas/Electric or Heat Pump Reversing Valve O or B Allow 2 nd Stage ALWAYS or ONLY with more than 1 Zone Fan Electric / Normal or Fan Gas / Dual Fuel for Heat Pump
	DISPLAY MENU	SUPPLY Air Temperature PURGE Status LO TEMP / HI TEMP Cutouts DELAY Status ECO (Economy) Status

DAMPERS AVAILABLE IN OVER 60 DIFFERENT SIZES AND STYLES



OTHER REFERENCES

- **ECOJAY SmartZone-4X/8X Install Guide** for quick step by step process for installation
- **ECOJAY SmartZone System Manual** for a full guide to ECOJAY Zoning products
- **ECOJAY SmartZone Troubleshooting Guide** for additional support
- References available at ecojay.com or by calling 1-888-523-ECOJ



INCLUDED: Stainless Steel Supply Air Temp (SAS) Probe with 10ft wire lead.

EZ Plug-In

		ECOJAY PART NUMBERS	
ZONE CONTROLS	Up to 8 ZONES	SmartZone-2X	2-Zone Controller w/ Supply Sensor
		SmartZone-4X	4-Zone Controller w/ Supply Sensor
		SmartZone-8X	8-Zone System (Using 4X4 LINK) w/ Supply Sensor
		SmartZone-KIT	Order by # of zones, up to 8 Zones
ZONE CONTROLS	Up to 33 ZONES	SmartZonePLUS-MC	Main Controller (Controls Equipment & Zone 1) w/ Supply Sensor
		SmartZonePLUS-E1	1-Zone Expander Module (for use with SZP-MC)
		SmartZonePLUS-E4	4-Zone Expander Module (for use with SZP-MC)
		SmartZonePLUS-KIT	Order by # of zones, up to 33 Zones
DAMPERS	SUPPLY	Supply ROUND – Spring Open	Spring Open (Fail Open)/ Power Close Round Supply Damper
		Supply ROUND – Power Open	Power Open/ Power Close Round Supply Damper
		Supply RECTangular – Power Open	Power Open/ Power Close Rectangular Supply Damper
	BYPASS	Bypass ROUND – SPC	Static Pressure Controlled Round Bypass Damper
		Bypass RECTangular – SPC	Static Pressure Controlled Rectangular Bypass Damper
		Bypass ROUND – Barometric	Barometric (Weight-Arm) Controlled Round Bypass Damper

ecojay.com
MORE INFORMATION ABOUT THESE PRODUCTS AVAILABLE ONLINE